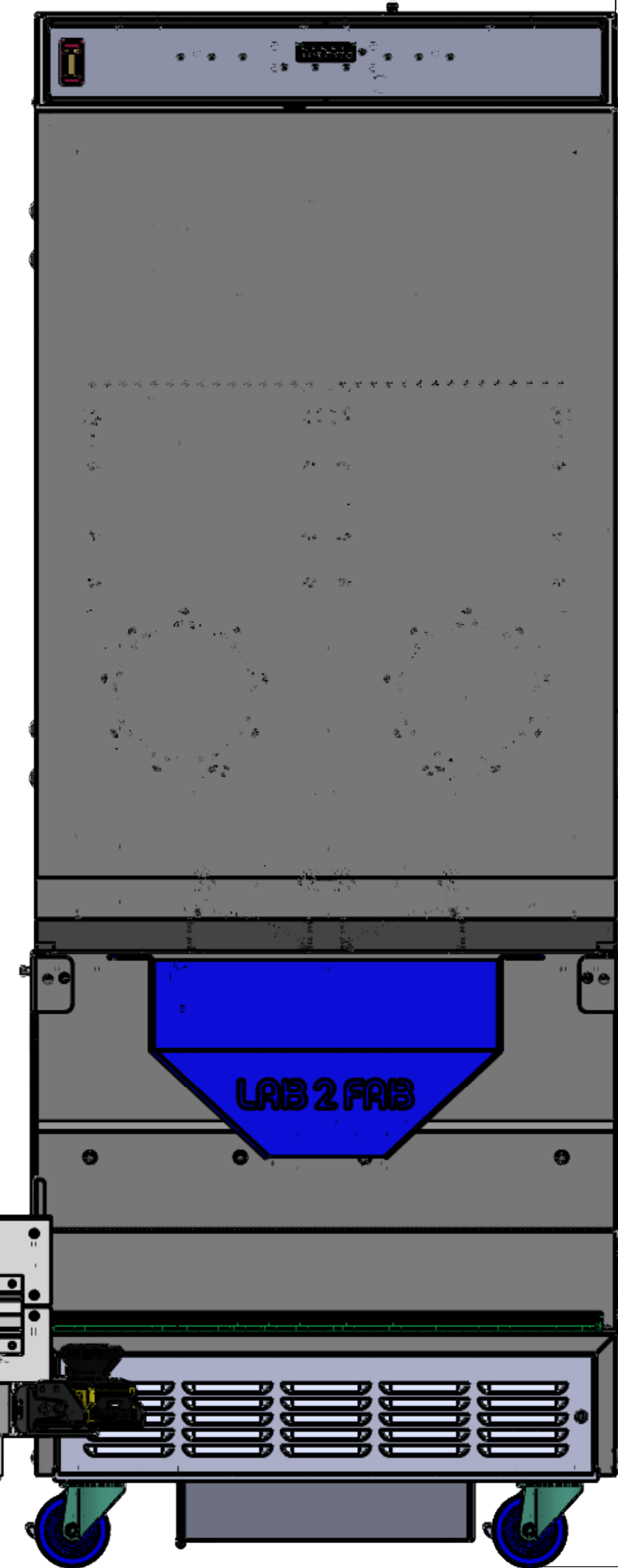
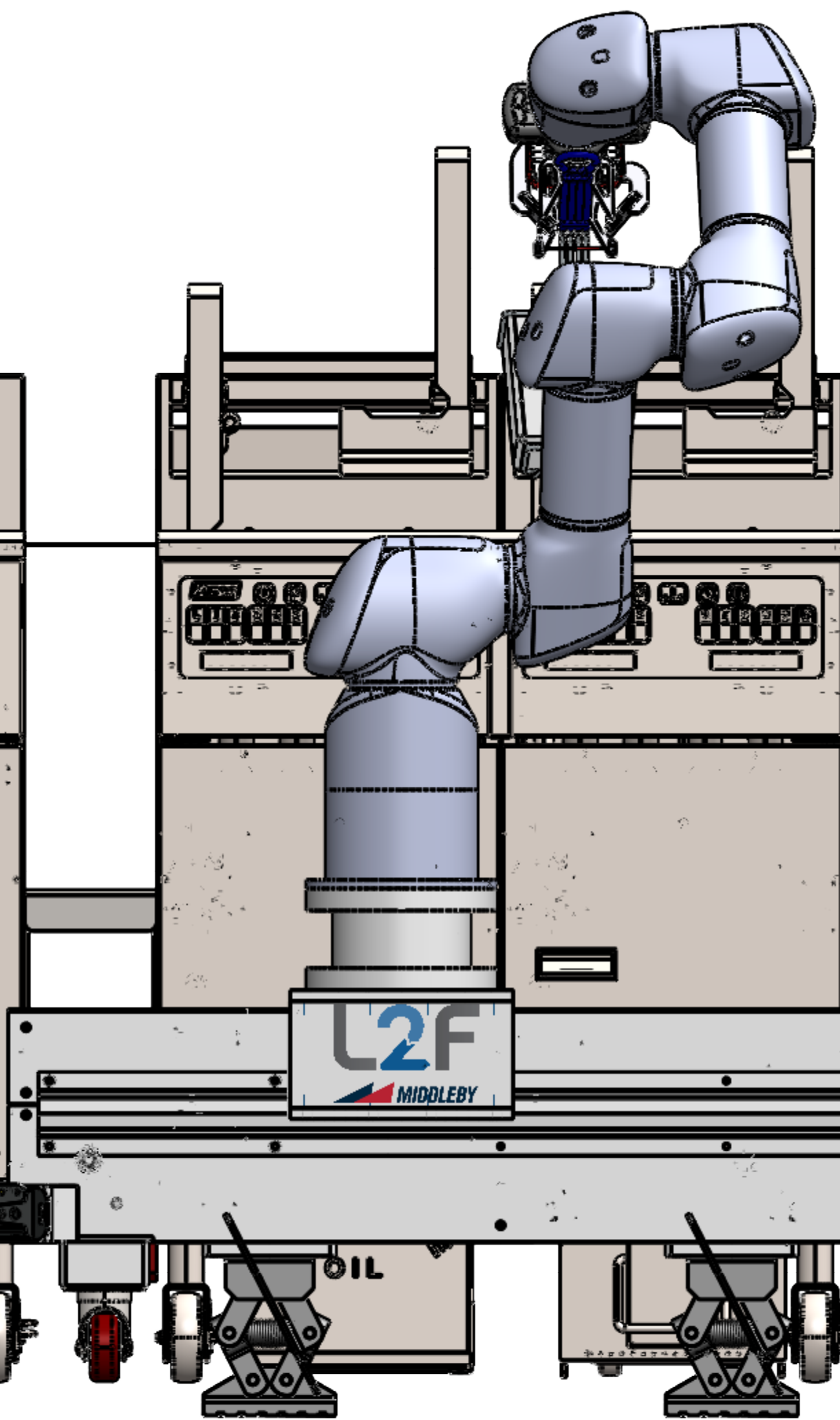
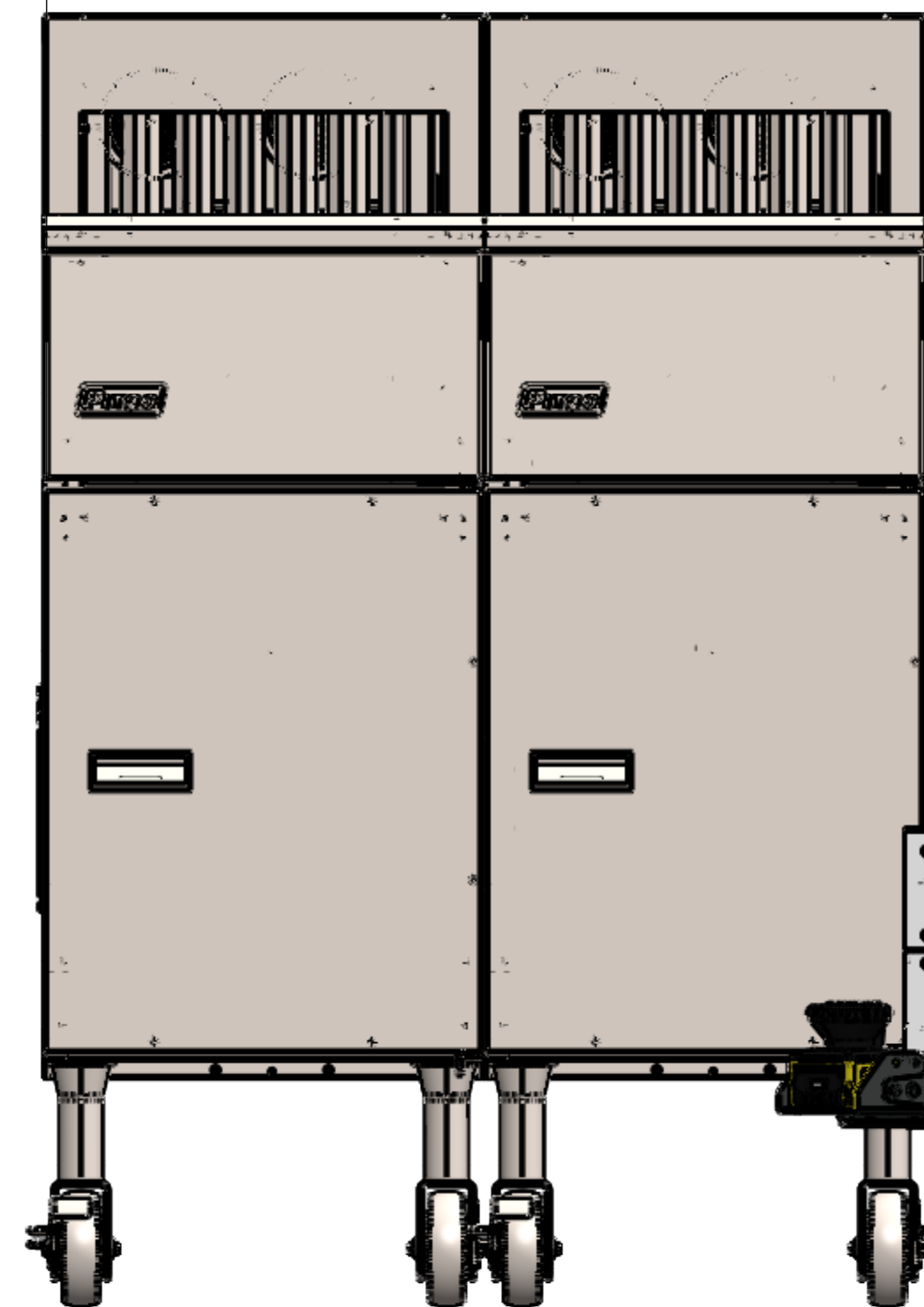
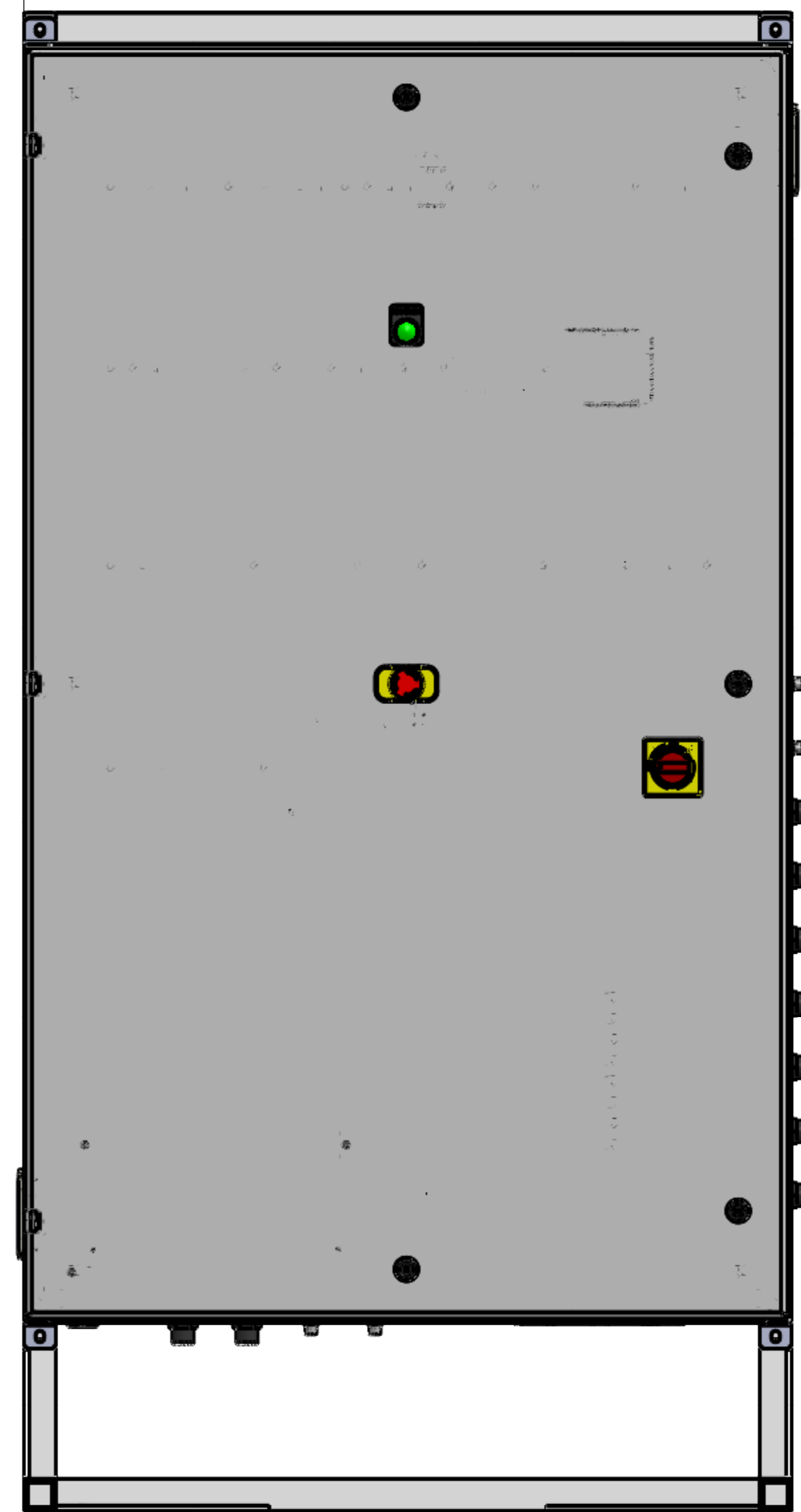


3670.4mm
[144.5in]

2599.5mm
[102.3in]

1903.8mm
[75.0in]



REVISIONS					
ZONE	REV.	DESCRIPTION	DATE	DRWN	APPD
	01	INITIAL RELEASE	7/14/2022	ST	

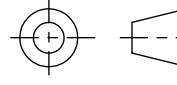
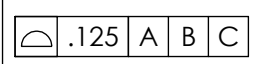
GENERAL NOTES

NOTES - UNLESS OTHERWISE SPECIFIED:

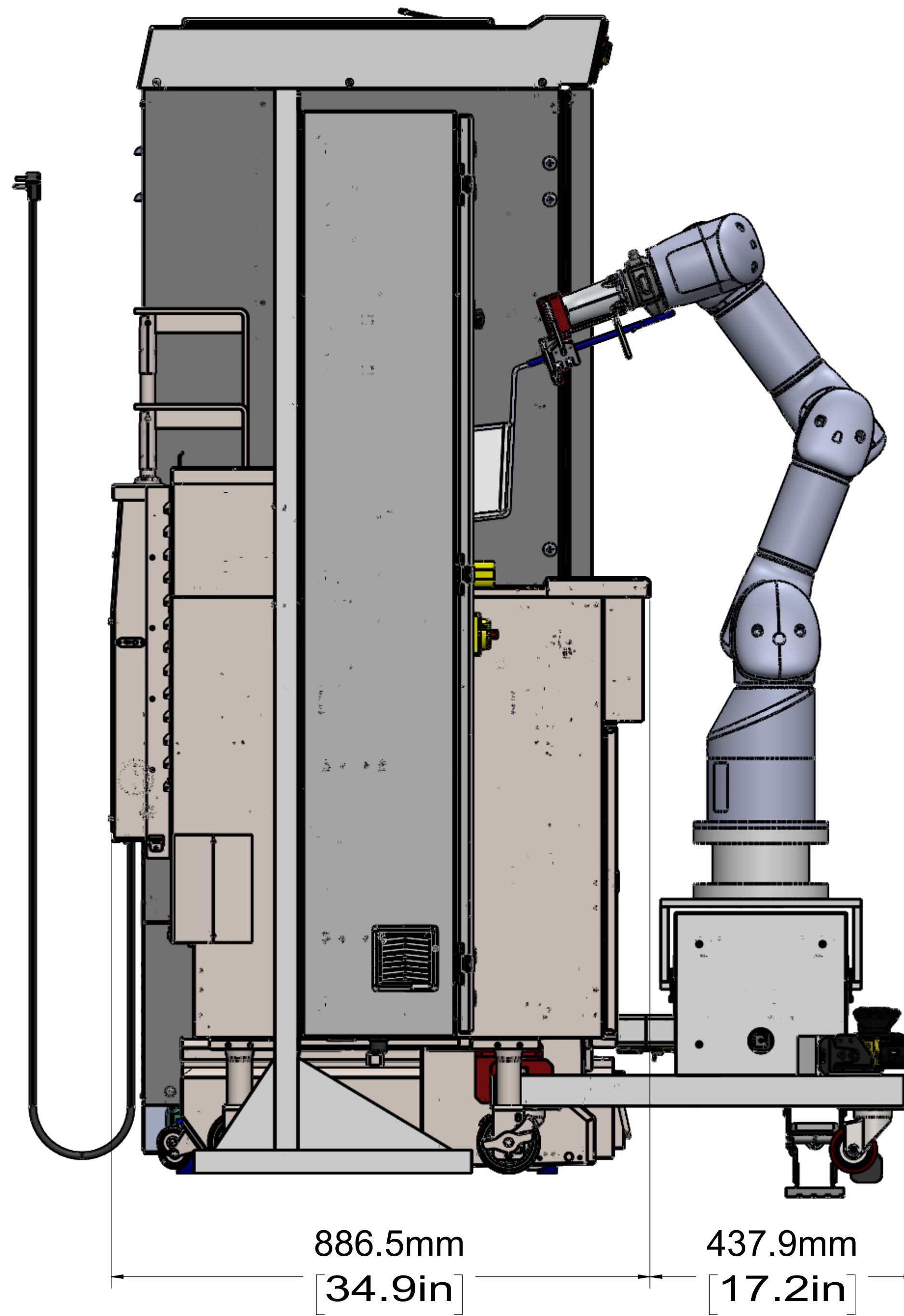
1. INTERPRET DRAWING PER ASME Y14.5-2009.
2. DIMENSIONS APPLY AFTER FINISHING OPERATIONS AND HEAT TREATMENT (20-23°C), UNLESS OTHERWISE SPECIFIED.
3. REMOVE BURRS & SHARP EDGES, 0.2-0.5 MM UNLESS SPECIFIED.
- ④ ENGRAVE, STAMP OR LASER MARK PART NUMBER AND REV (ZONE A1) IN THE FORMAT XXX-XXXX REV XXX APPROXIMATELY WHERE SHOWN. CHARACTERS TO HAVE 2.5 MIN HEIGHT. ENGRAVING DEPTH TO BE .20 MM MAX. MUST BE VISIBLE AFTER FINISH.

	NAME	DATE
DWN	SAM.TANAKA	7/14/2022
CHK		
ENG	SAM TANAKA	7/14/2022
MFG		

L2F

THIRD ANGLE PROJECTION

 UNLESS OTHERWISE SPECIFIED: DIMENSIONS IN MILLIMETER UNTOLERANCED DIMENSIONS ARE BASIC

 THIS DRAWING CONTAINS PROPRIETARY INFORMATION AND IS NOT TO BE USED OR REPRODUCED WITHOUT THE PERMISSION OF L2F INC.
 Copyright L2F INC, 2013

MATERIAL		
ITEM NAME ASSY,FRYBOT LAYOUT,RIGHT TO LEFT,DUAL 14" CRISP & HOLD		
SIZE	ITEM NUMBER	REV
D	800001112	
DO NOT SCALE THIS DRAWING		SHEET 1 OF 2



L2F

ITEM NAME		
ASSY,FRYBOT LAYOUT,RIGHT TO LEFT, DUAL 14" CRISP & HOLD		
SIZE	ITEM NUMBER	REV
D	800001112	1
DO NOT SCALE THIS DRAWING		SHEET 2 OF 2